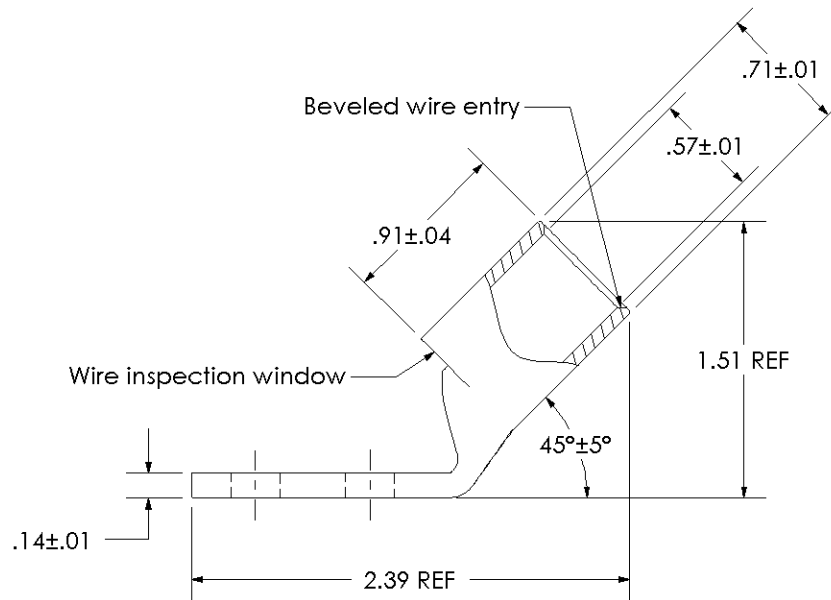
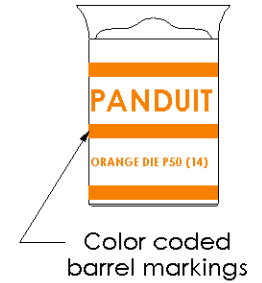
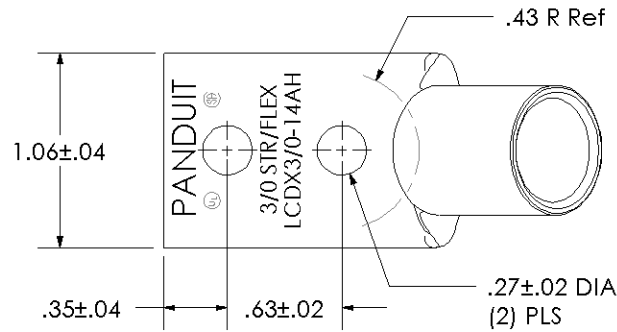


THIS COPY IS PROVIDED ON A RESTRICTED BASIS AND IS NOT TO BE USED IN ANY WAY DETRIMENTAL TO THE INTERESTS OF PANDUIT CORP.

Material	High Conductivity Seamless Copper Tube
Plating	Electro-Tin
Wire Size	3/0 STR/FLEX
Wire Type	Stranded Copper: Class B & C, Compact, Class G, H, I, K, M, Locomotive
Wire Strip Length	1.0 in.
Stud Size	1/4 in.
UL Listed Wire Connector	Yes, for applications up to 35kv. Consult cable manufacturer for voltage stress relief instructions with applications greater than 2000 volts.
UL Temperature Rating	90° C
C.S.A Certified Wire Connector	Yes
Panduit Color Code on Barrel	ORANGE
Panduit Die Index No. on Barrel	P50
Alternate Industry Die Index No. ( ) on Barrel	(14)



CERTIFIED

LISTED  
Wire Connector

**PANDUIT CORP. TINLEY PARK, ILLINOIS**

LCDX3/0-14AH-X  
Copper Lug - Two-Hole, Standard Flex Barrel, 45° Angle Tongue

00	6/03	SAC	SAC
REV	DATE	BY	CHK

RELEASED

10850

DESCRIPTION

ECN

SCALE  
N/A

DRAWING NO / CAD FILE

LCDX3\_0-14AH-CUST